

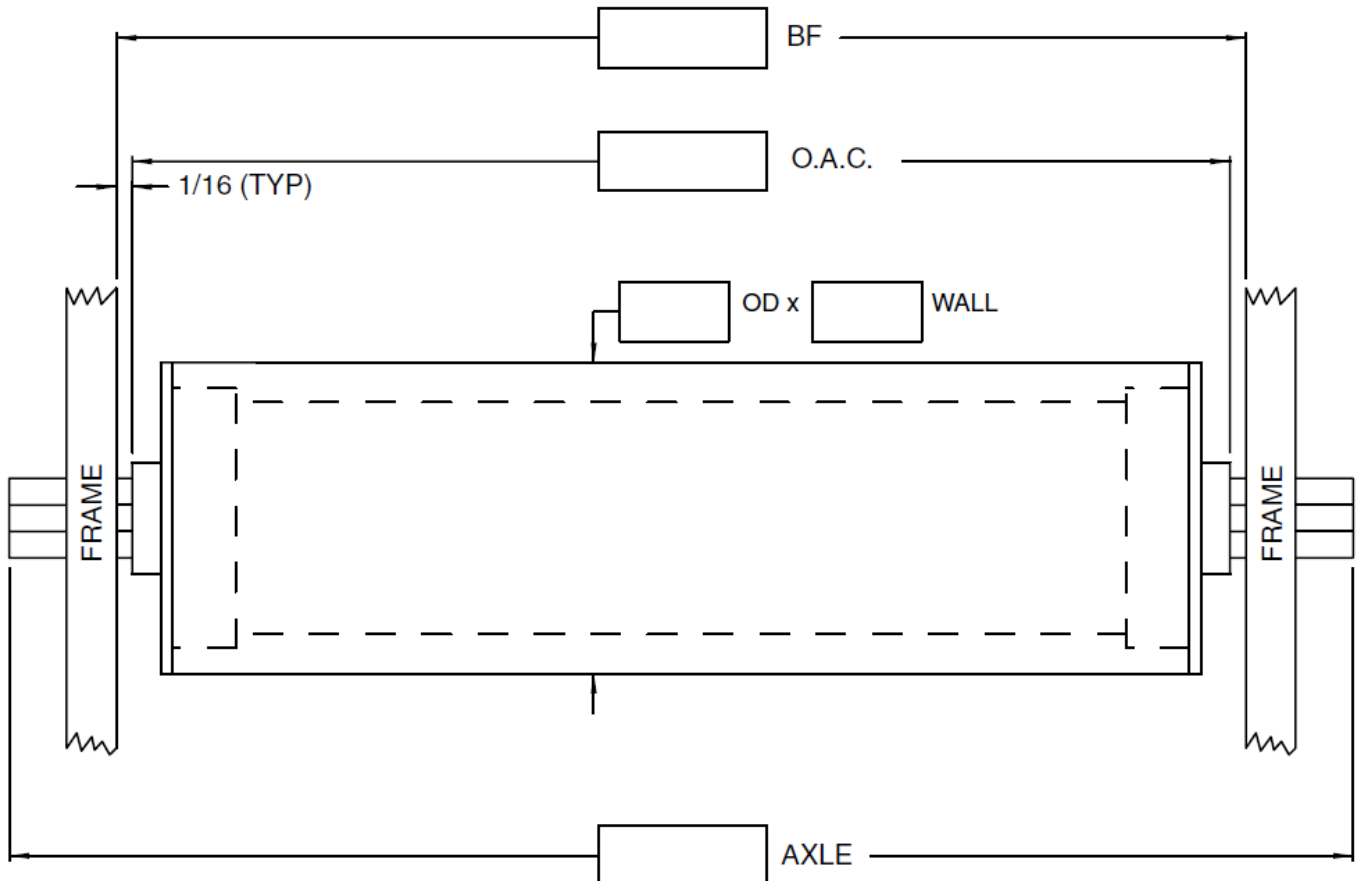


Ph: (800) 886-2358 Fax: (404) 419-3717 2197 Canton Rd., Suite 208, Marietta, GA 30066

Company: \_\_\_\_\_ Date: \_\_\_\_\_  
Contact: \_\_\_\_\_ Quote Due: \_\_\_\_\_ Desired Delivery: \_\_\_\_\_  
Phone No.: \_\_\_\_\_ Contact Email: \_\_\_\_\_ State: \_\_\_\_\_  
Sales Contact: \_\_\_\_\_ Quote #: \_\_\_\_\_

Quantity: \_\_\_\_\_ Notes: \_\_\_\_\_  
Between Frame Width (BF): \_\_\_\_\_  
Overall Cone (OAC) (if roller is not in frame): \_\_\_\_\_  
Roller Diameter: \_\_\_\_\_  
Wall Thickness (Gauge): \_\_\_\_\_  
Axle Size: \_\_\_\_\_ (Hex or Round)  
Axle Length: \_\_\_\_\_ (or Standard)  
Type of Bearing: \_\_\_\_\_  
Pin Retained: \_\_\_\_\_  
Spring Retained: \_\_\_\_\_  
Load Capacity Required: \_\_\_\_\_

Note: Between Frame (BF) is the distance between the frames of the conveyor. The BF measurement is needed to ensure proper fit into the conveyor. If the roller is not in the conveyor provide the Overall Cone, the length of the roller from bearing tip to bearing tip (See our Roller Measurement Guide for more information). Utilize the drawing below to depict more detailed specifications.



Customer Approval Signature: \_\_\_\_\_